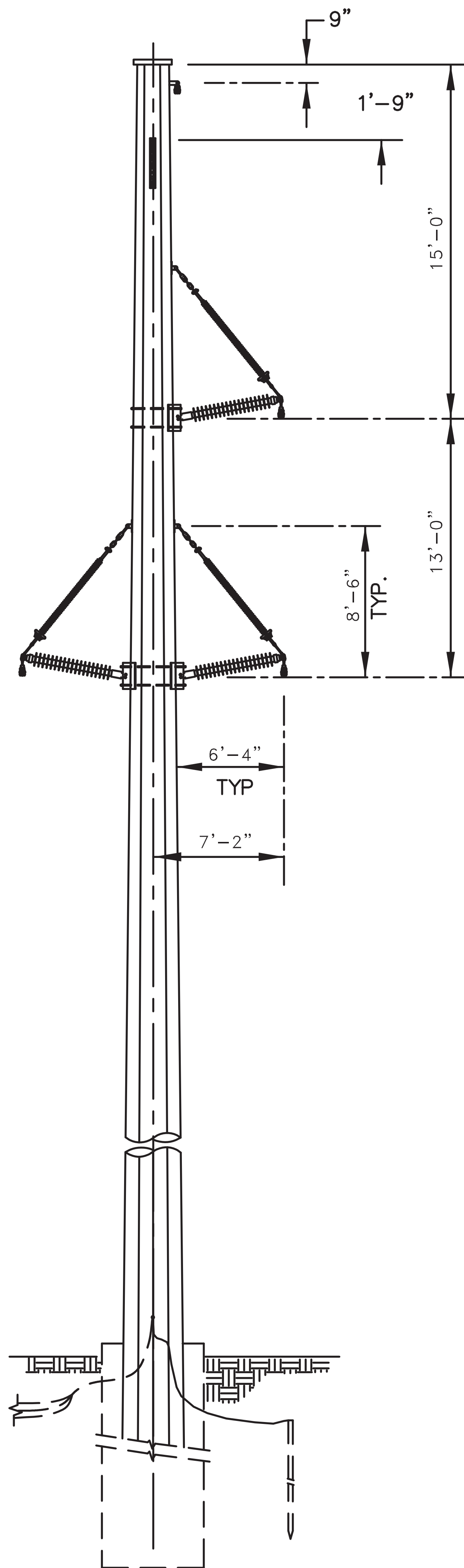


Typical structure

Southline to Jacinto 138 kV Transmission Line Project

Typical 138kV delta structure



At Entergy Texas, Inc., we have a simple set of values: Focus on our customers, treat people with respect and act with integrity. Our project construction plan will be developed with you, our valued customer, in mind. Once work begins, we will work safely during reasonable hours with as little inconvenience to you as possible.

